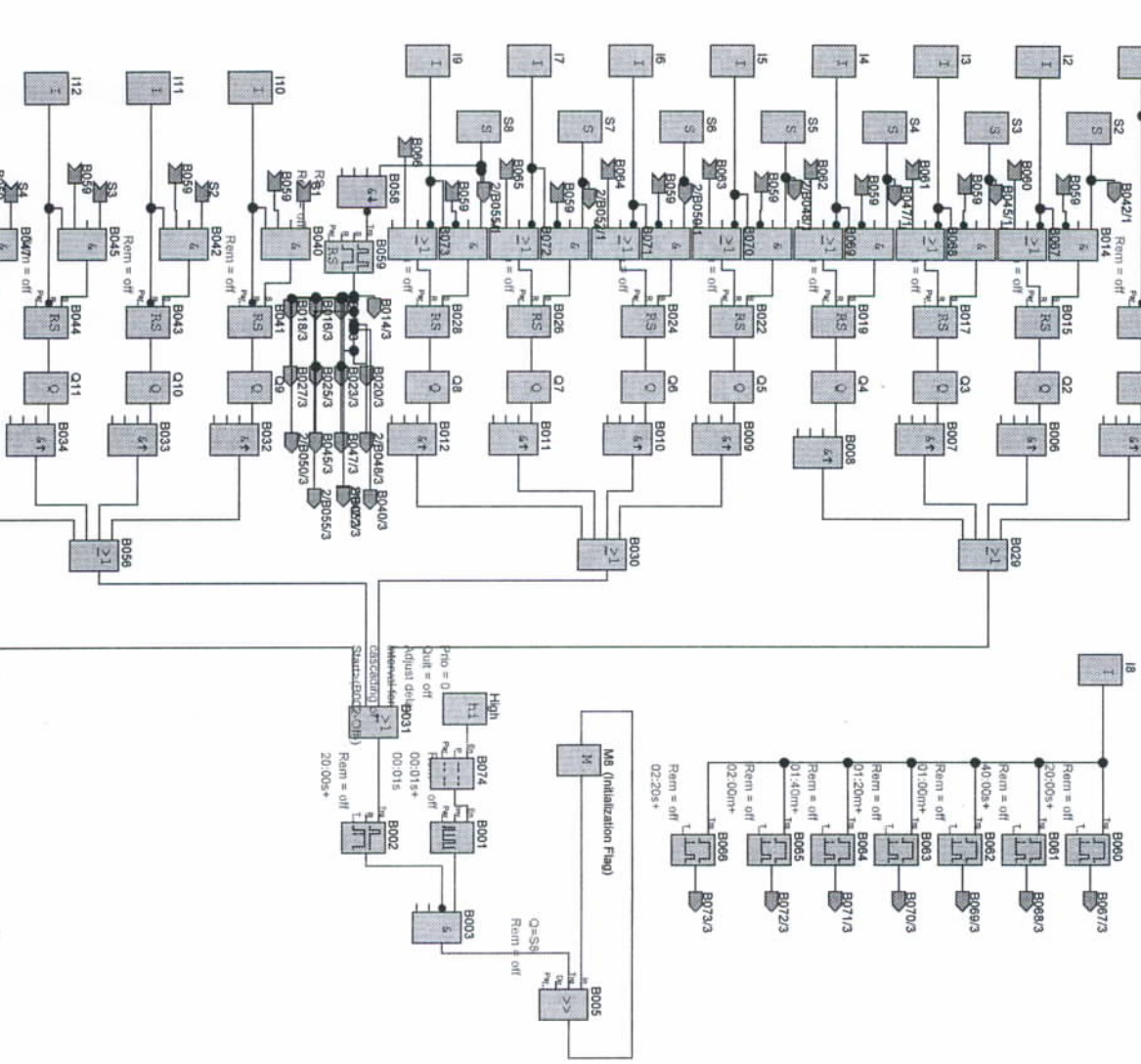
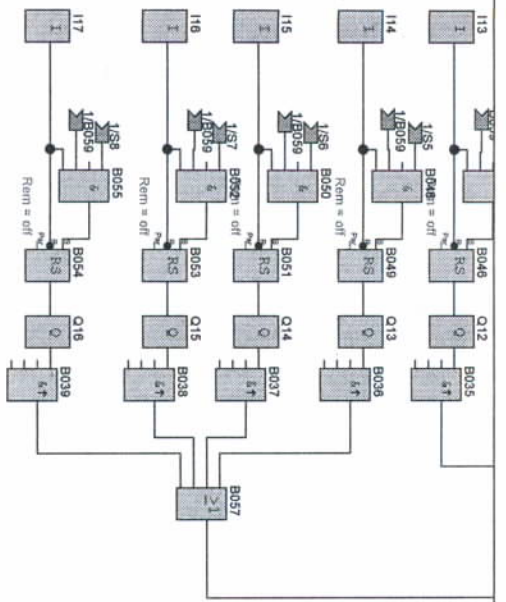


11-17 correlate with Thermostat demand to HVAC units 1-7.
 Units will cascade ON with 20 seconds intervals.
 18 is overload and will cascade HVAC units 2-8 OFF.
 19-17 correlate with thermostat demand to HVAC units 8-16.



Project:	Richard Oros	Customer:	
Installation:	All Professional Industries	Diagram No.:	2
File:	10/12/09 3:52 PM/3/25/10 8:09 AM	Page:	1 / 2
Load Shed A/C Smart Delay			
Load Shed A/C Smart Delay			
Cascade Start/Stop			



JC	Richard Oros	All Professional Industries	Project:	Load Shed A/C Smart Delay	Customer:	2
ref:	10/12/09 3:52 PM/3/25/10 8:09 AM		Installation:	Load Shed A/C Smart Delay	Diagram No.:	2
			File:	Cascade_Start.lsc	Page:	2 / 2