

Load Shed A/C

by, All Professional Industries

Smart Delay

Installation / Technical Manual

This manual should remain with the unit.

DANGER

**ONLY QUALIFIED ELECTRICIANS OR CONTRACTORS SHOULD
ATTEMPT INSTALLATION!**

READ THIS MANUAL THOROUGHLY!	INSTALLATION AS FOLLOWS:
-------------------------------------	---------------------------------

INTRODUCTION

Thank you for purchasing the Load Shed A/C Smart Delay by All Professional Industries. Every effort was expended to make sure that the information and instructions in this manual were both accurate and current at the time the manual was written. However, the manufacturer reserves the right to change, alter or otherwise improve this product(s) at any time without prior notice.

READ THIS MANUAL THOROUGHLY

If any portion of this manual is not understood, contact us at (847)516-8882.

HOW TO OBTAIN SERVICE

If the Load Shed A/C requires service, call (847)516-8882 to locate at servicing dealer in your area.

EQUIPMENT DESCRIPTION

The Load Shed A/C Smart Delay assembly is used to automatically delay each air conditioner up to 4. The 4 air conditioners will delay 20 seconds from each other, thus not allowing the in-rush from all 4 A/C units at the same time. Once installation is complete, the Load Shed A/C Smart Delay will operate automatically without any need for user intervention or routine maintenance.

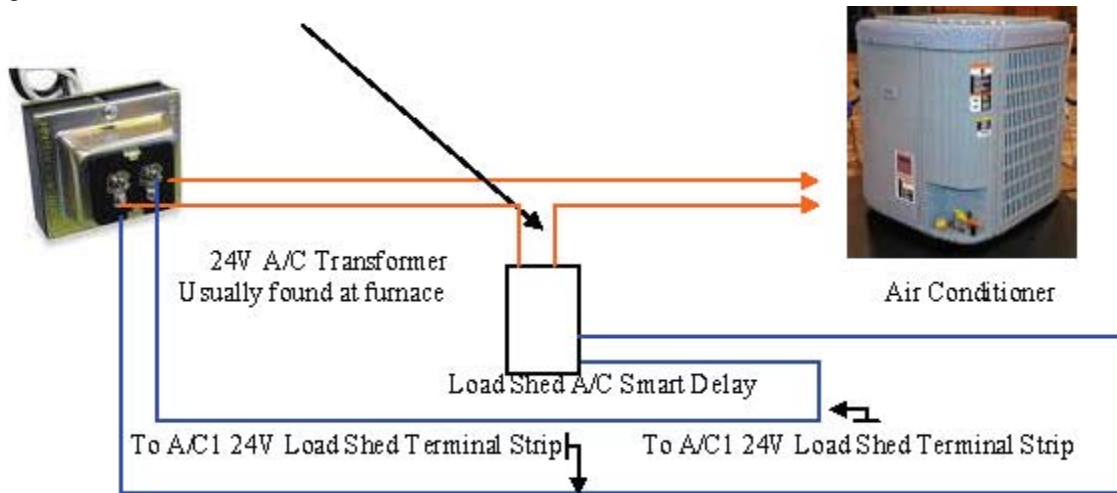
UNPACKING AND ASSEMBLY

Every Load Shed A/C Smart Delay is tested thoroughly before it leaves manufacturing. Damage may occur if the instructions are not followed.

INSTALLATION

1. Install the Load Shed A/C enclosure as close to the A/C wiring as possible. (Note: The Load Shed A/C Smart Delay Nema 1 enclosure is rated for indoors only).
2. Turn off the breakers that feed all air conditioners.
3. Turn off each thermostat that controls all air conditioners.
4. Install a 15A 120V circuit and connect the hot and neutral to the two black wires located on the Load Sheds transformer. (Note: It does not matter which black on the transformer is hot and which is neutral).
5. Locate the switched 24V transformer that controls the relay for each A/C unit (Normally found in the furnace junction box. On thermostat, this will be terminal "Y" and "W" = 24V. Otherwise, splice into the switched 24V's from the thermostat wiring going out to the A/C unit itself) and splice into each of them. Run the 2 wires (24V) from A/C 1 to terminal strip labeled: "24V A/C1" I "24V A/C1" and follow the same procedure for all four A/C units. (Note: Both A/C 1's on the terminal strip control the Q1 relay, A/C2 controls Q2 relay and so on).
6. The same transformer wires that you spliced into in step 5, cut 1 wire and splice 2ea #18 gauge thermostat wires, one to each cut end. Run both wires to the Load Shed A/C and install 1 wire into each terminal labeled Q1. (See below fig 1)
7. Follow the same procedure for the second, third and fourth air conditioner. Run both wires to the Load Shed A/C and install 1 wire to each terminal labeled Q2, Q3 and Q4
8. Turn the breakers back on for each air conditioner.
9. Test all air conditioners by setting the thermostats so that all air conditioners turn on. If all air conditioners turn on, you are done. If not, call 847-516-8882 and ask for technical support.

Fig. 1 Cut 1 wire and run both ends to Load Shed Q1



Thank you again for purchasing the Load Shed A/C Smart Delay

